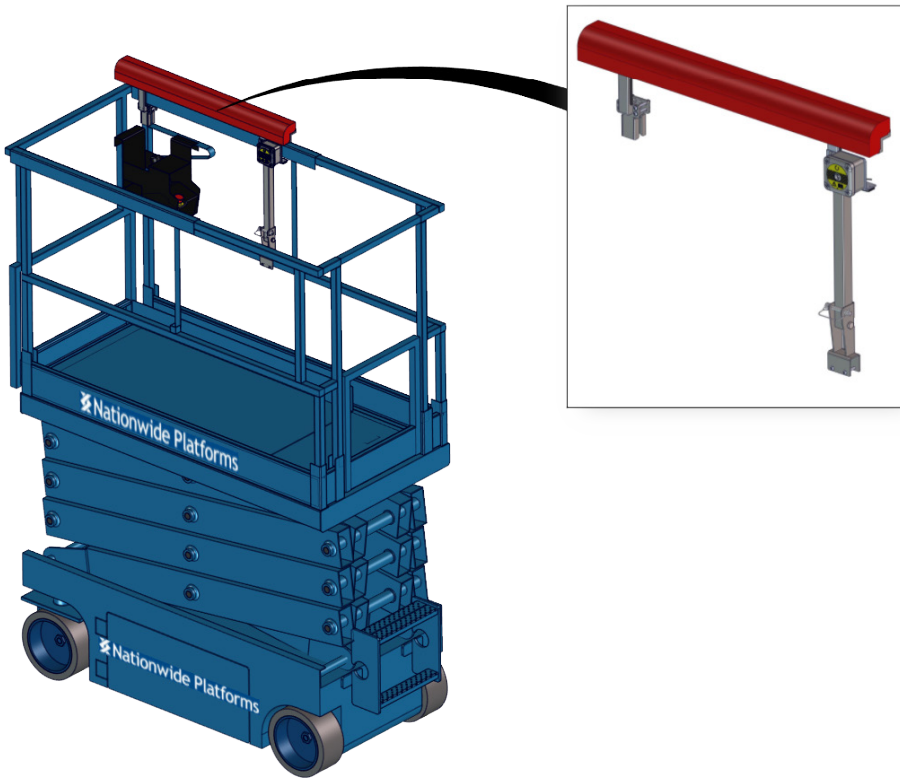


SkySiren®

for scissors

Secondary guarding

SkySiren® for scissors is an industry-first secondary guarding solution designed to reduce the risk of injury from crushing on scissor type Mobile Elevating Work Platforms (MEWPs).



MEWP Compatibility

SkySiren® for scissors is compatible with most Genie and SkyJack electric slab scissor lifts, and also works alongside other attachments.

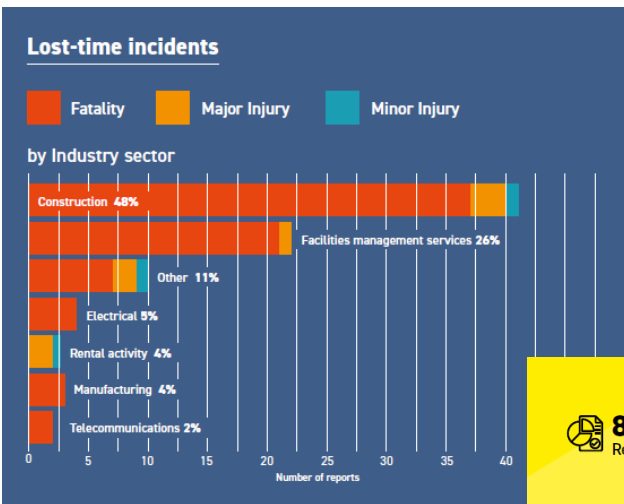
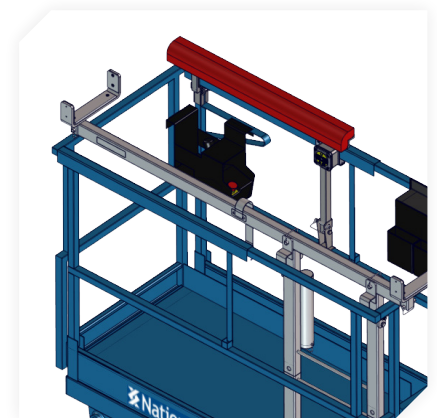
Features

- Prevents machine operation and triggers audible and visual warning upon contact
- Accidental triggers can be easily reset, reducing false alarms
- Unobtrusive - integrated into scissor basket
- System doesn't conflict with ground controls

Benefits

- Minimises the risks associated with entrapment/crushing (73 fatalities 2016-2020 - *IPAF Global Safety Report 2021*)
- Alerts "on the ground buddy" that an incident has occurred, enabling a swift rescue
- Promotes best practice amongst operators
- Doesn't interfere with the day to day operation of the MEWP

SkySiren® for scissors secondary guarding solution is compliant with the code of practice for the safe use of MEWPs (BS 8460).



IPAF Global Safety Report 2021

84 Reports 15 Countries 84 Persons Involved 73 Fatalities

Total reports received by the IPAF portal

Find out more about SkySiren® for scissors by scanning the QR code.



SkySiren® Capability

SkySiren® is only active while the MEWP user is operating the MEWP - once stationary at height, SkySiren® does not interfere with the normal work routines of the operator in any way.

To ensure the sensitive edge is operating correctly, SkySiren® continually monitors it and 'fails safe' should a problem occur.

Please refer to SkySiren® users operating manual for full details and for suggested operating procedure, which can be used to help plan a detailed method statement.

SkySiren's® unique operation prevents nuisance tripping.