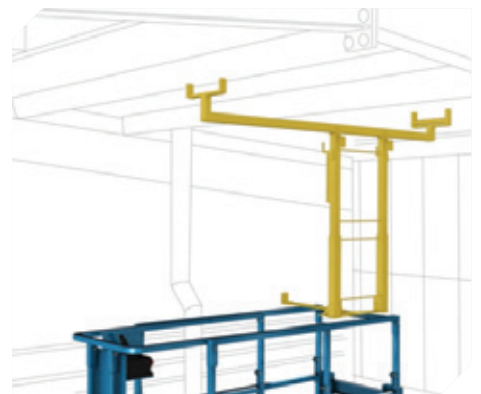


SkyRak®

Material Handling Attachment

SkyRak® is a lightweight material handling attachment designed to work with a wide range of materials.



Features

- Holds materials securely
- Removes material weight from handrails
- Materials held close to working area

Benefits

- Reduces risk of materials falling from height
- Reduces handrail damage
- Complies with HSE regulations
- Improves productivity and reduces manual handling
- Clear deck

Compliance with guidance

When installing materials from MEWPs, the use of well-designed Material Handling Attachments (MHAs) such as SkyRak® should help MEWP users to satisfy the following:

- i. PUWER - requires that the work equipment provided is “suitable for use”.
- ii. LOLER - requires that lifting equipment (any equipment... including accessories ... used at work for lifting or lowering loads) is sufficiently strong and stable, positioned or installed to prevent the risk of injury and visibly marked for its safe use (SWLs etc). Evidence of a thorough examination must be provided.
- iii. Industry Guidance - HSE information sheet CIS58 “The Selection and Management of MEWPs” states that an “appropriate material handling attachment” should be considered to “reduce the risk of overturning and remove the need to balance materials on the MEWPs handrails and minimise the risk of injury due to manual handling”.



MEWP Compatibility

SkyRak® is compatible with the following MEWP models:

- Genie scissor lifts, 19', 20', 26' 32' (model numbers 19/30, 20/32, 26/46, 32/46)
- Liftlux scissor lift model LL15
- JLG scissor lifts 19', 32' (model numbers 19/32, 32/46)
- Haulotte scissor lift model COM14

SkyRak® Capability

- Do not exceed SWL of SkyRak® = 150kg
- Do not exceed SWL of underlying MEWP (weight of SkyRak® = 50kg)
- Max height of materials in supporting “heads” = 10cm
- Max length of materials - user-defined following a specific risk assessment
- Slab ground conditions only
- Indoor use only - zero wind

Please refer to SkyRak® users operating manual for full details and for suggested operating procedure, which can be used to help plan a detailed method statement.